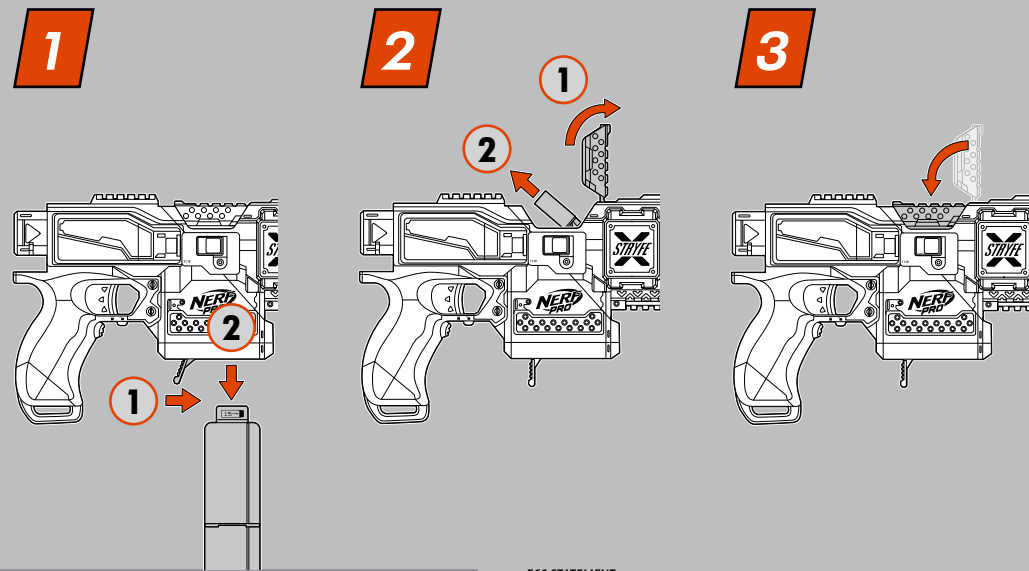


## CLEARING A JAM

REMOVE MAGAZINE FROM BLASTER. OPEN ACCESS DOOR AND REMOVE ANY JAMMED DARTS. CLOSE DOOR.



## BLASTER STORAGE

- STORE THE BATTERY OUTSIDE OF / SEPARATE FROM BLASTER.
- MAKE SURE TRIGGER LOCK IS IN LOCKED POSITION WHEN STORING BLASTER.
- FOR BEST PERFORMANCE, DO NOT STORE DARTS IN MAGAZINE.

### FCC STATEMENT

This device complies with Part 15 of the FCC Rules. Operation is subject to the following two conditions: (1) This device may not cause harmful interference, and (2) this device must accept any interference received, including interference that may cause undesired operation.

NOTE: This equipment has been tested and found to comply with the limits for a Class B digital device, pursuant to Part 15 of the FCC Rules. These limits are designed to provide reasonable protection against harmful interference in a residential installation. This equipment generates, uses and can radiate radio frequency energy, and, if not installed and used in accordance with the instructions, may cause harmful interference to radio communications. However, there is no guarantee that interference will not occur in a particular installation. If this equipment does cause harmful interference to radio or television reception, which can be determined by turning the equipment off and on, the user is encouraged to try to correct the interference by one or more of the following measures:

- Reorient or relocate the receiving antenna.
- Increase the separation between the equipment and the receiver.
- Consult the dealer or an experienced radio/TV technician for help.

CAUTION: Changes or modifications to this unit not expressly approved by the party responsible for compliance could void the user's authority to operate the equipment.

CAN ICES-3 (B)/NMB-3(B)

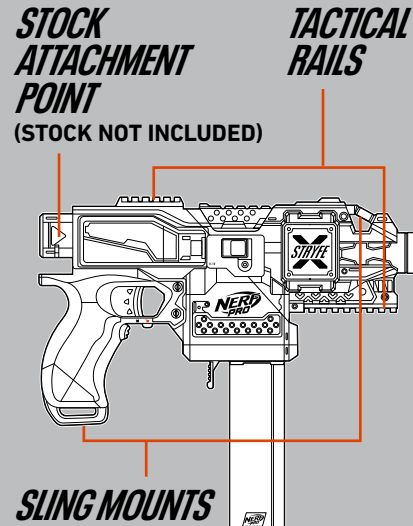
### DÉCLARATION DE LA FEDERAL COMMUNICATIONS COMMISSION

Cet équipement est conforme à la Section 15 des règlements de la FCC. Son fonctionnement est soumis aux deux conditions suivantes: [1] Cet équipement ne peut causer d'interférence nuisible; [2] cet équipement doit pouvoir fonctionner même s'il capte de l'interférence, incluant celle pouvant provoquer un fonctionnement indésirable.

NOTE: Cet équipement a été testé et est conforme aux limites d'un instrument numérique de classe B de la Section 15 des règlements de la FCC. Ces limites ont été établies pour assurer une protection raisonnable contre les brouillages préjudiciables dans une installation résidentielle. Cet équipement produit, utilise et peut rayonner des fréquences radioélectriques et, s'il n'est pas monté et utilisé conformément aux instructions, peut créer un brouillage préjudiciable aux radiocommunications. Cependant, ces limites ne garantissent pas qu'il n'y aura pas d'interférence dans une installation particulière. Si ce jouet produit un brouillage préjudiciable aux transmissions télévisuelles ou radiophoniques, ce qui peut se déceler à la mise en marche et à l'arrêt du jouet, l'utilisateur devrait corriger la situation en suivant une ou plusieurs des mesures suivantes:

- réorienter ou replacer l'antenne de réception;
- augmenter la distance entre l'équipement et le récepteur;
- demander l'aide d'un marchand ou d'un technicien en radio et télévision.

ATTENTION: Toute modification ou altération apportée à cet appareil, sans autorisation expresse de la partie responsable de sa conformité, peut révoquer à l'utilisateur son droit de l'utiliser.



# NERF PRO

TO AVOID EYE INJURY:

**WARNING:** Do not aim at eyes or face. Use of eyewear always required for players and people within range. Use only official NERF Pro darts. Do not modify darts or blaster. Impact from darts may cause temporary marks on skin. Ages 14 and up. This is not a toy. Read instructions before use for important safety information.

**WARNING:** COMPLY WITH ALL LAWS. Check to ensure the use and possession of this product is allowed where you are intending to use it, as using, displaying, transporting, or carrying this product may be prohibited by law or regulation in certain locations, such as schools, airports, government property, and high-density areas. Do not aim or blast at bystanders, animals, moving vehicles, or others' property. Do not alter this product to make it look like a firearm. Such alteration is dangerous and could be a crime and/or create confusion by law enforcement or others that it is a firearm.

RECHARGEABLE BATTERY

TRIGGER

REV TRIGGER

BATTERY RELEASE

MAGAZINE RELEASE

MAGAZINE

EYEWEAR

14+

ENGINEERED EXCLUSIVELY FOR:

- NERF PRO ACCUSTRIKE HALF-LENGTH DARTS
- NERF PRO ACCUSTRIKE HALF-LENGTH DART MAGAZINES

READ ALL INSTRUCTIONS COMPLETELY BEFORE USE.

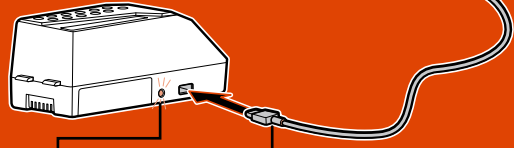
NERF PRO  
**STRYFE X**



## CHARGE BATTERY

Using a USB-A to USB-C charging cable, insert the USB-C end into battery charger port.

Attach the cable to a USB-A wall charger (not included).



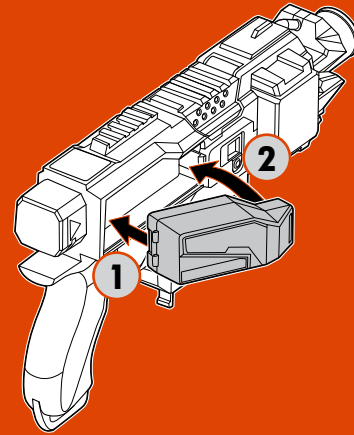
**USB-A TO USB-C CHARGING CABLE\***  
\* USB-A WALL CHARGER REQUIRED (NOT INCLUDED).

- Light is steady when charging.
- Light shuts off when battery is fully charged.
- Flashing light: Charging issue. Unplug and replug charging cable, and try charging again.
- For best performance, charge until the charge light shuts off. It can take up to 4 hours to charge the battery based on the charging source used. Recharge when performance noticeably declines.



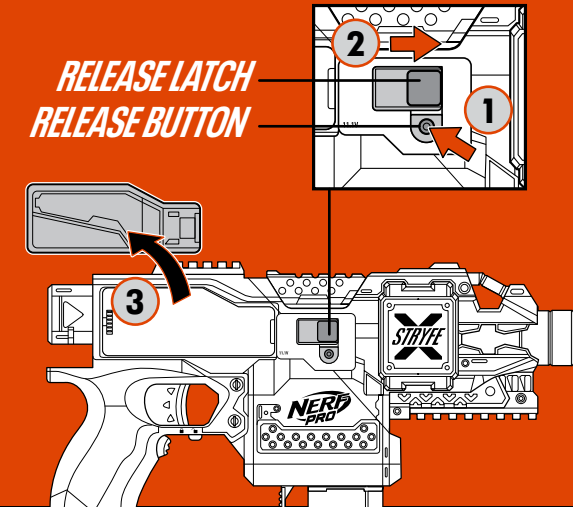
Includes rechargeable 11.1V 1000mAh LiPo battery. Replaceable.

## INSTALL BATTERY



## TO REMOVE BATTERY

PRESS AND HOLD DOWN THE RELEASE BUTTON. AT THE SAME TIME, MOVE THE RELEASE LATCH. NOTE: YOU MUST CONTINUE TO HOLD DOWN THE BUTTON WHILE MOVING LATCH. REMOVE BATTERY.



**IMPORTANT: RECHARGEABLE BATTERY INFORMATION**  
Retain this information for future reference. Batteries should be replaced by an adult.

**WARNING:**  
Risk of fire, explosion, and burns. Do not disassemble, crush, heat above 45°C (113°F), or incinerate. Dispose of this battery according to your local recycling or waste regulations – never disassemble. Do not use the item near a heat source such as a fire or heater.

**CAUTION:**  
Risk of fire and burns. Do not open, crush, heat above 45°C, or incinerate. Follow manufacturer's instructions.

**WARNING:**  
Use only with the device provided. Chargers used with the product are to be regularly examined for damage to the cord, plug, enclosure and other parts, and that, in the event of such damage, the product must not be used with this charger until the damage has been repaired.

NOTE: The battery terminals are not to be short-circuited.

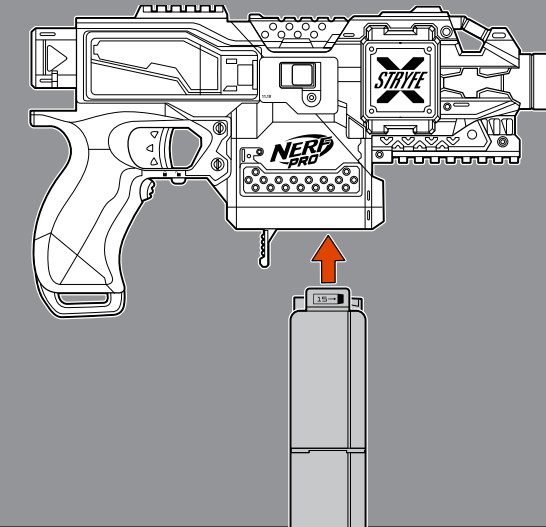
## LOAD

1

x15  
MAXIMUM

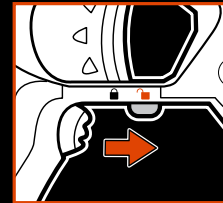


2

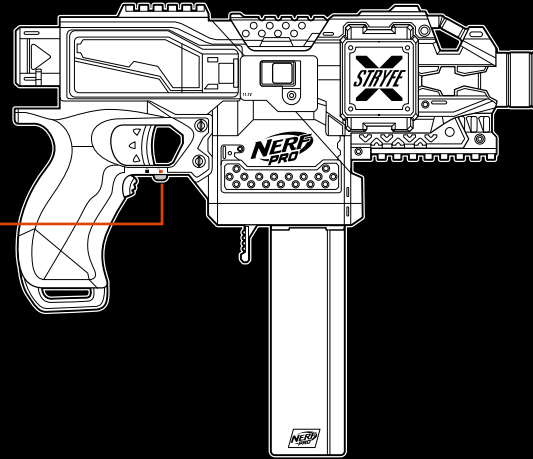


## FIRE

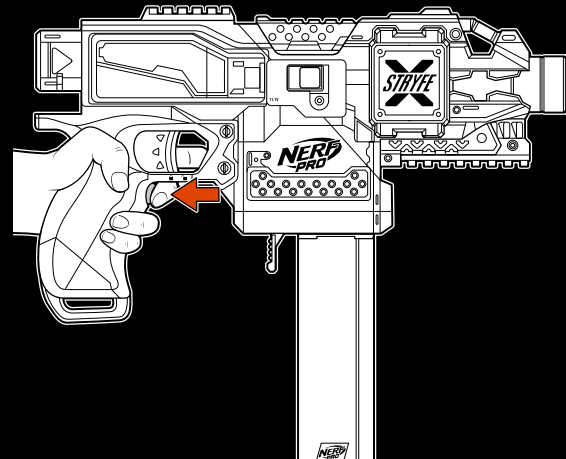
WEAR THE INCLUDED PROTECTIVE EYEWEAR WHEN YOU OR ANYONE ELSE NEARBY IS USING A NERF PRO BLASTER.



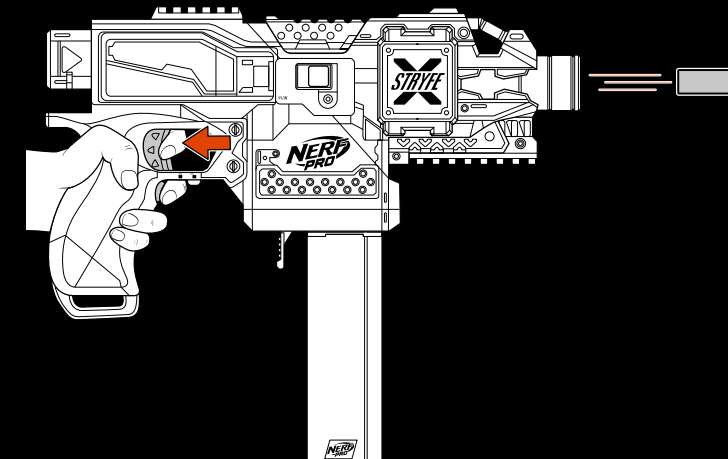
TRIGGER LOCK



1 UNLOCK TRIGGER.

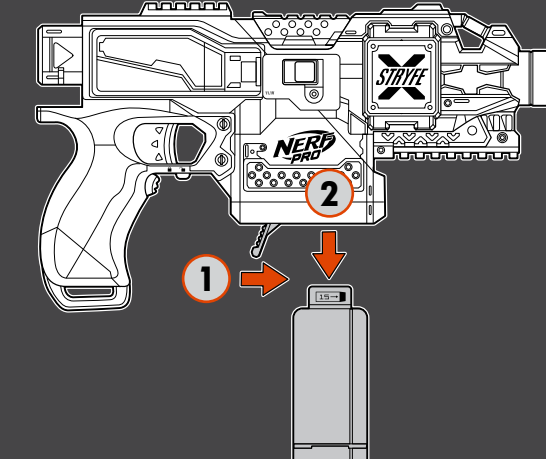


2 PRESS REV TRIGGER TO POWER UP THE MOTOR.



3 PULL TRIGGER TO FIRE 1 DART.

## TO REMOVE MAGAZINE



PRESS MAGAZINE RELEASE.